

# CALIFORNIA VALVE

## Model -MS Monitoring Switch

O  
P  
T  
I  
O  
N  
S



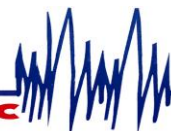
The new Model -MS Monitoring Switch is an optional feature that is available at the time of order with any CALIFORNIA valve. This unique device relays an electrical signal that enables the valve's position (open or closed) to be monitored remotely. The Monitoring Switch is operated via a custom magnet attached to the valves swing-arm, and is capable of handling both AC and DC voltages. It is mounted by the factory, and has been tested and rated for outdoor use (NEMA 3R). The Enclosure is fabricated from Anodized Aluminum, with all Stainless Steel hardware, and a gasket made from a UL approved material.

### Ordering Information

The -MS feature MUST be specified at the time of order, and is NOT available for retrofit applications on existing CALIFORNIA valves.

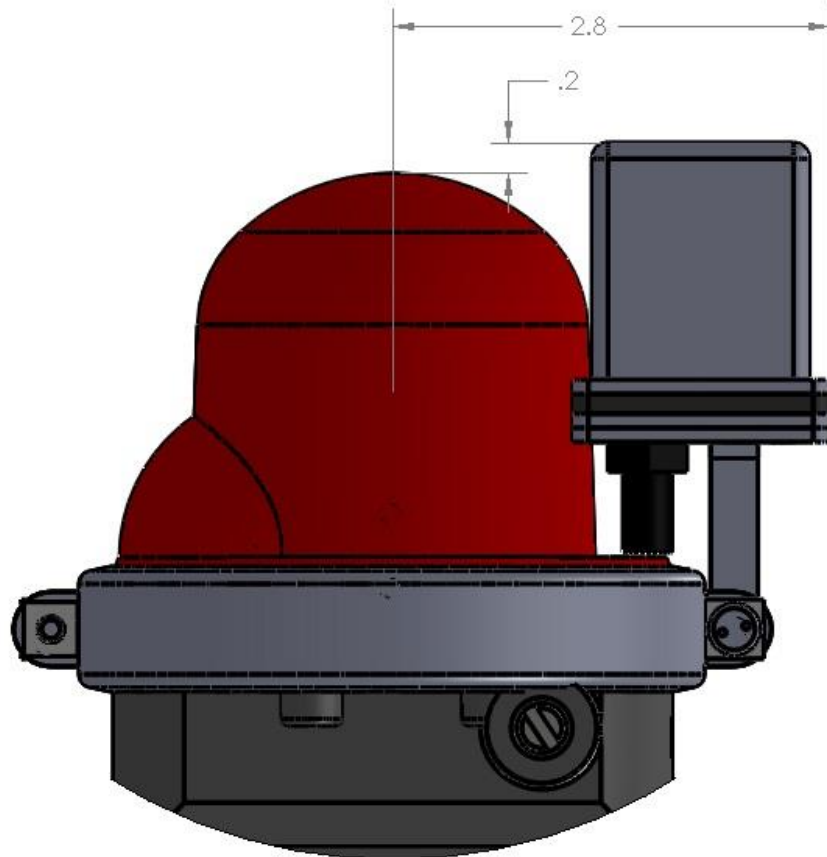
To Specify this optional feature, add the suffix "-MS" to the valves model number. For example, a threaded 2" CALIFORNIA valve designed for horizontal flow, with the optional Model -MS Monitoring Switch feature, would have the part number 314-MS.

**More Information And Specifications On Second Page**



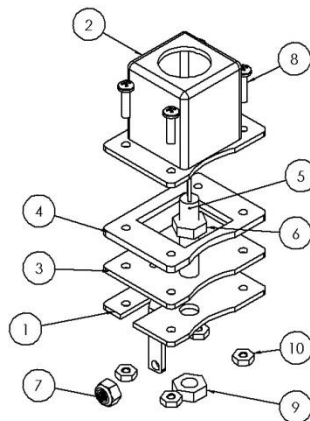
# Specifications: Model -MS

## Monitoring Switch



Model #	Voltage Type	Max Voltage	Max Amperage	Contact Rating*
-MS	AC	140	0.35	10 VA
	DC	200	0.5	10 VA

\*Product of the switching voltage and current should never exceed the contact rating.  
 \*\* Switch is Normally Closed (Valve Open = Switch Closed)  
 \*\*\* Tighten #6-32 Stainless Screws Until 1-3 Threads are Exposed Past Nylon Insert



ITEM NO.	PART DESCRIPTION	QTY.
1	-MS MOUNTING BRACKET	1
2	COVER	1
3	SPACER	1
4	GASKET	1
5	SENSOR	1
6	INNER SENSOR NUT	1
7	#8-32 NY-LOCK NUT	1
8	#6-32 x 9/16" STAINLESS SCREW ***	4
9	OUTER SENSOR NUT	1
10	#6-32 NY-LOCK NUT ***	4

