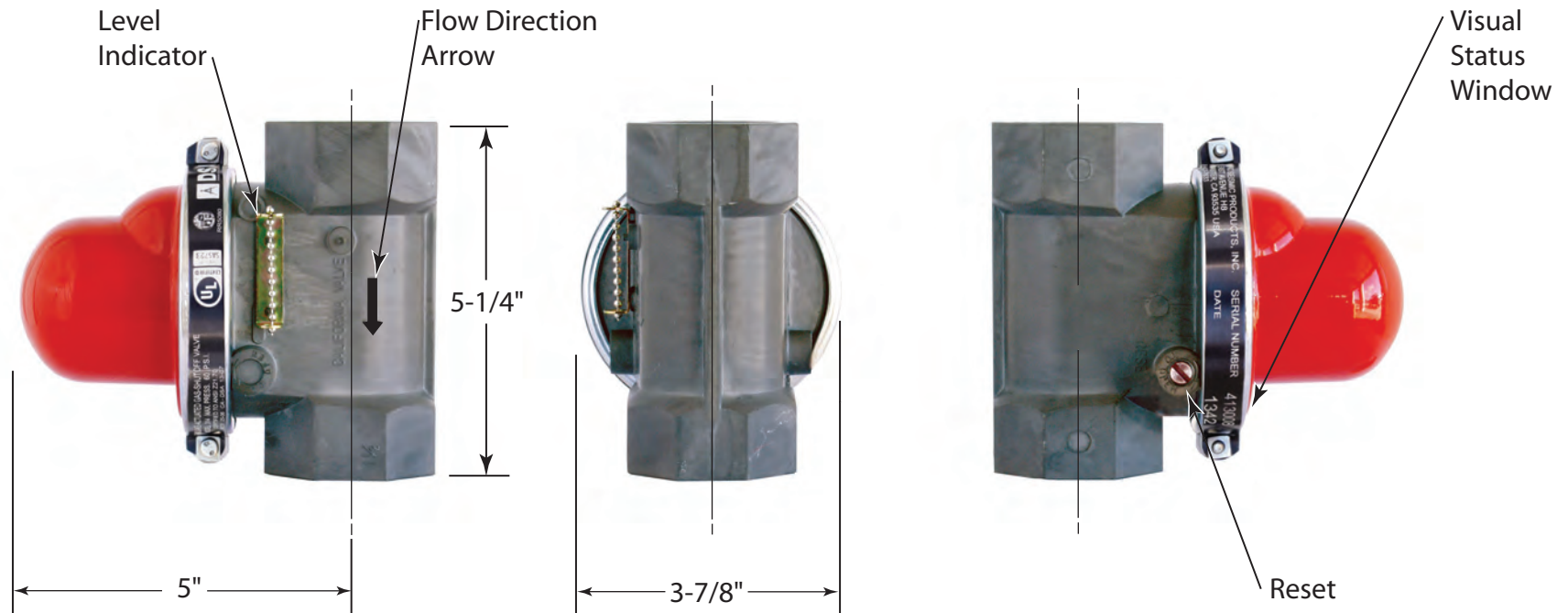


# Specifications: Model VT-313(60) NPT Valve

## Vertical - Top In Flow



Valve Model#	CA-DSA No.	Length	Height	Width	Nominal Pipe Size	Threads Per Inch	APPLICATION	DATA
							Max. Pressure	Fuel
VT-313	13-53	5"	5-1/4"	3-7/8"	1-1/2"	11-1/2	60 psi	Dry Fuel Gas

California Seismic Valves are UL listed in the USA Certified by the California State Architect's Office, Approved by the City of Los Angeles, and are warranted free of manufacturer's defects for 30 years. All valves meet California Standards for Earthquake Actuated Automatic Gas Shut off Systems, Standard No. 12-12-1, ANSI Z21.21, 2012 and ASCE 25-06 Standards.

**Pacific Seismic Products**  
 233 East Avenue H-8 • Lancaster, CA 93535 • USA

Tel (661) 942-4499  
 Fax (661) 942-0999  
 TF (800) 4-GAS-OFF  
[www.4GasOff.net](http://www.4GasOff.net)

